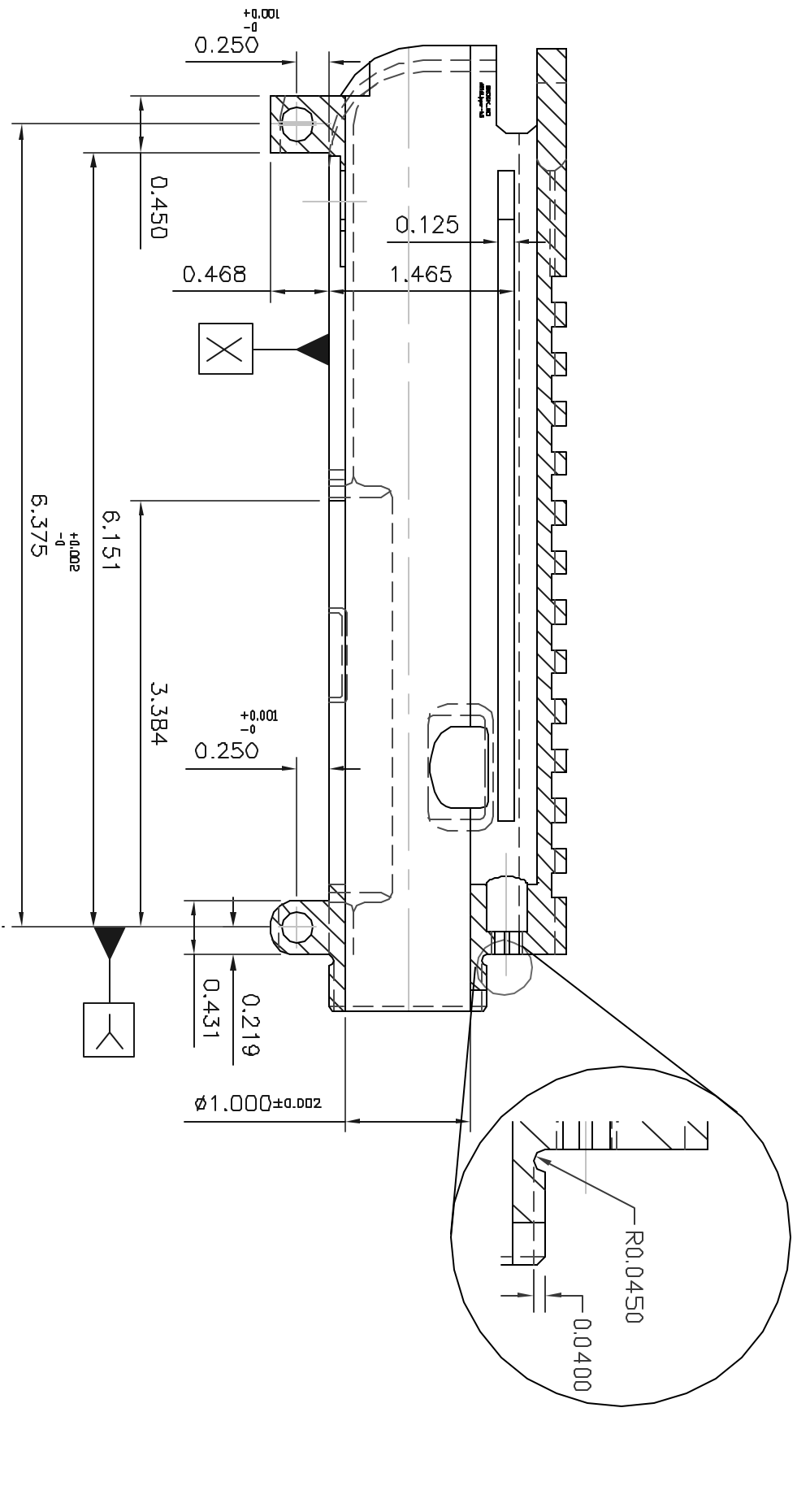


NOT TO SCALE
 DIMENSIONS ARE IN IN. ■ MM. □ D □ UAL

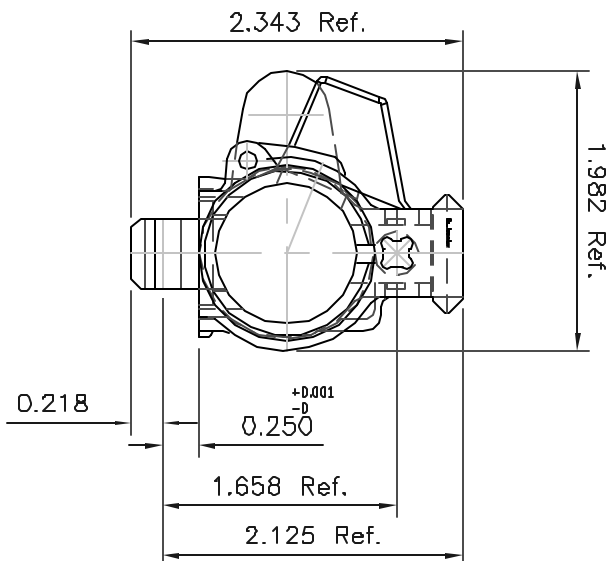
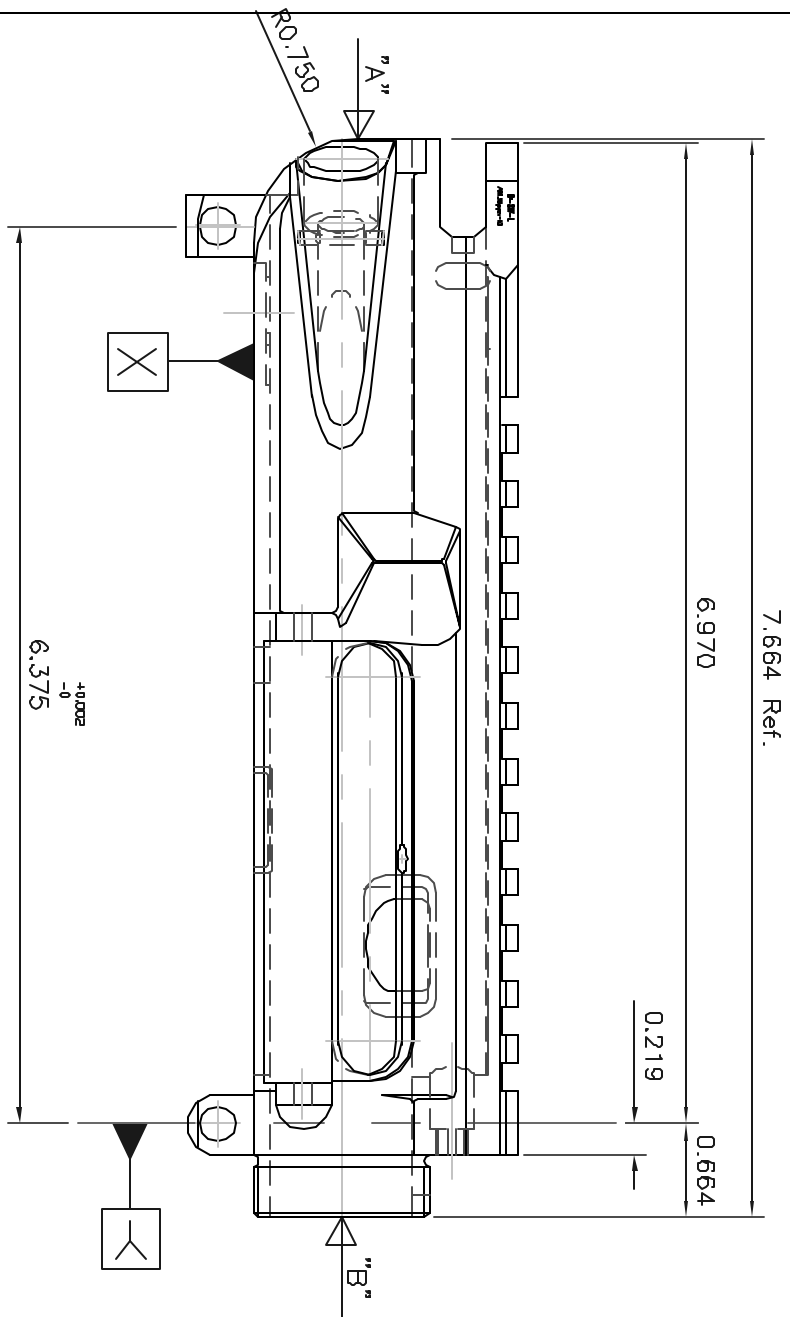
TOLERANCES UNLESS OTHERWISE SPECIFIED
 INCH ± .005
 MM. ± .05
 ANGLE ± .5 Deg

FINISH PARTS SPEC. NO.
 MATERIAL 7075 T6 ALUMINUM FORGING
 DISTRIBUTION LATEST PLOT RELEASE DATE

MODEL		AR15 UPPER RECEIVER (FLATTOP)
TITLE		LEFT / REAR
DRAWN BY	DATE	SCALE FULL
CHECKED BY	DATE	SHEET NO. 5
DRAWING NUMBER		DF 8 SHEETS
CODE	IDENT. NO.	SIZE VAR.
	A	

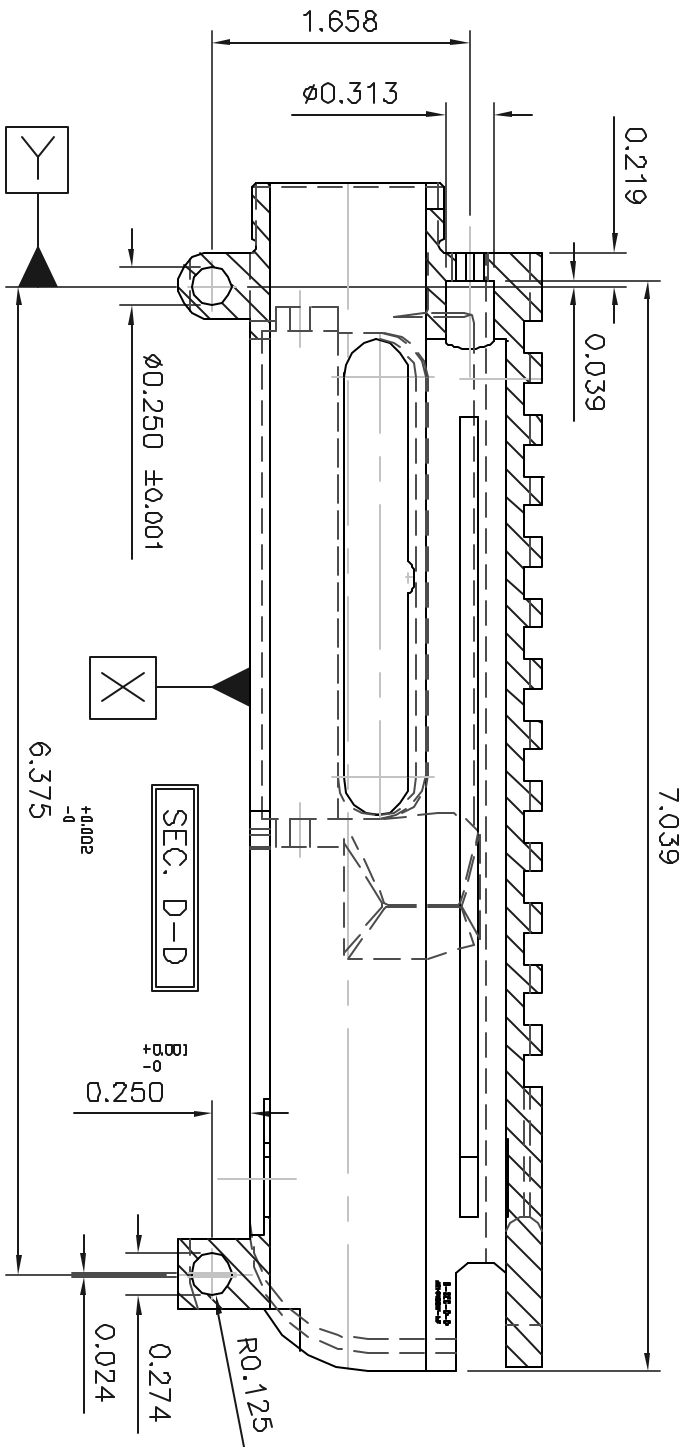


NOT TO SCALE		DIMENSIONS ARE IN IN. MM. D. UAL	
TOLERANCES UNLESS OTHERWISE SPECIFIED		INCH ± .005	
MM. ±		ANGLE ± .5 Deg	
FINISH		PARTS SPEC. NO.	
MATERIAL		LATEST PLOT RELEASE DATE	
7075 T6 ALUMINUM FORGING			
DISTRIBUTION			
MODEL		TITLE	
AR15 UPPER RECEIVER (FLATTOP)		LEFT SIDE CUTTAWAY	
DRAWN BY		DATE	
Jan 2003		SCALE FULL	
CHECKED BY		DATE	
Jan 2003		SHEET NO. 1	
DRAWING NUMBER		OF 8 SHEETS	
CODE	IDENT. NO.	SIZE	VAR.
		A	



NOT TO SCALE	
DIMENSIONS ARE IN	IN. ■ MM. □ D □ UAL
TOLERANCES UNLESS OTHERWISE SPECIFIED	
INCH ± .005	
MM. ±	
ANGLE ± .5 Deg	
FINISH	PARTS SPEC. NO.
MATERIAL	
7075 T6 ALUMINUM FORGING	
DISTRIBUTION	LATEST PLOT RELEASE DATE

MODEL	AR15 UPPER RECEIVER (FLATTOP)
TITLE	
RIGHT / FRONT	
DRAWN BY	DATE
	Jan 2003
CHECKED BY	DATE
	DF 8 SHEETS
DRAWING NUMBER	
CODE	IDENT. NO.
A	
SCALE	FULL
SHEET NO.	5
DF	8 SHEETS
VAR.	



NOT TO SCALE

DIMENSIONS ARE IN IN. MM. D D UAL

TOLERANCES UNLESS OTHERWISE SPECIFIED

INCH $\pm .005$

MM. \pm

ANGLE $\pm .5$ Deg

FINISH

PARTS SPEC. NO.

MATERIAL

7075 T6 ALUMINUM FORGING

DISTRIBUTION

LATEST PLOT RELEASE DATE

MODEL AR15 UPPER RECEIVER (FLATTOP)

TITLE RIGHT SIDE CUTTAWAY

DRAWN BY

CHECKED BY

DATE

DATE

SCALE

DATE

SCALE

DATE

SCALE

SHEET NO. 2

OF 8 SHEETS

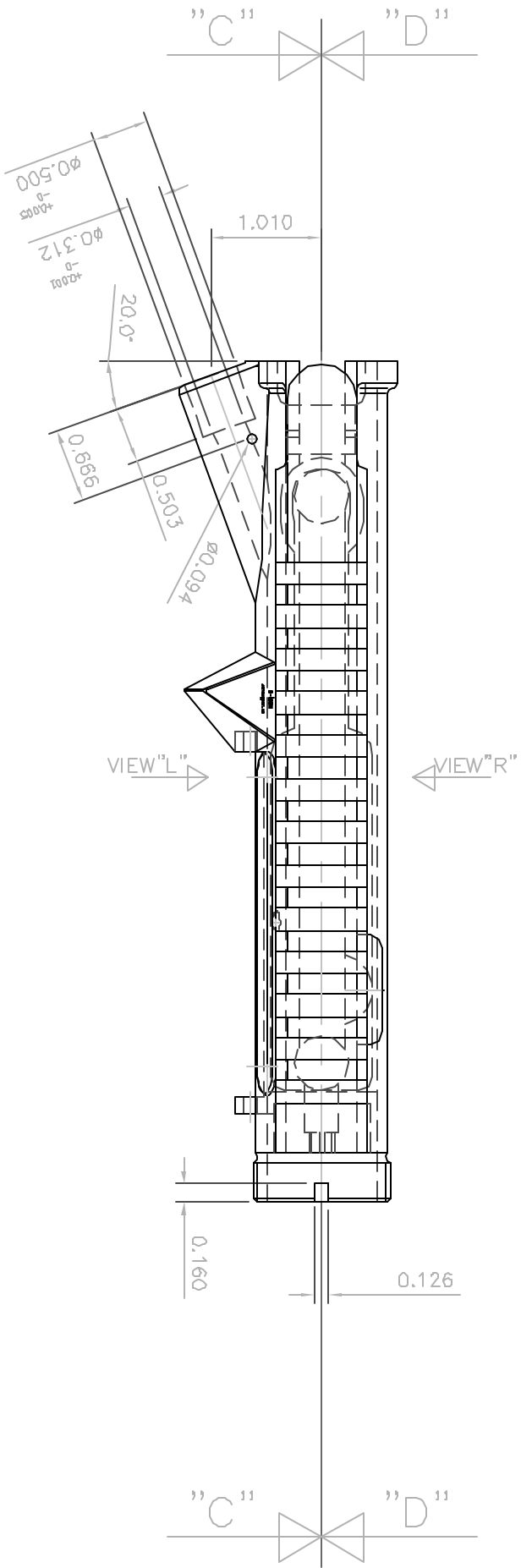
SIZE

VAR.

DRAWING NUMBER

IDENT. NO.

A

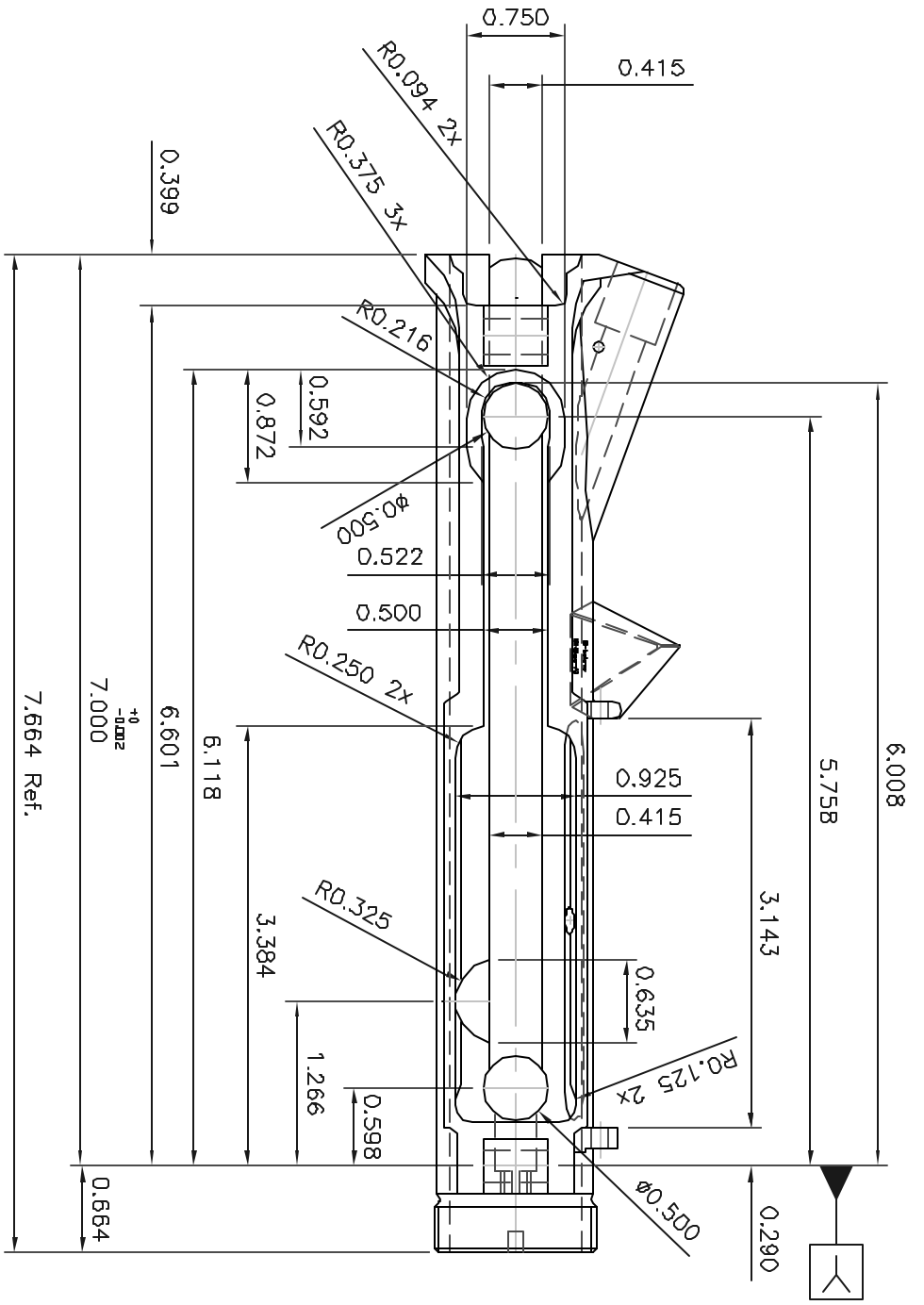


NOT TO SCALE
 DIMENSIONS ARE IN IN. ■ MM. □ D □ UAL

TOLERANCES
 UNLESS OTHERWISE SPECIFIED
 INCH ± .005
 MM. ±
 ANGLE ± .5 Deg

FINISH
 PARTS SPEC. NO.
 MATERIAL
 7075 T6 ALUMINUM FORGING
 DISTRIBUTION
 LATEST PLOD
 RELEASE DATE

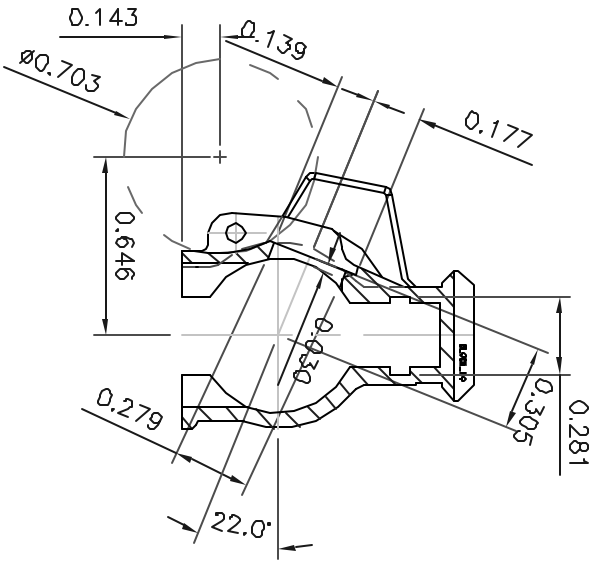
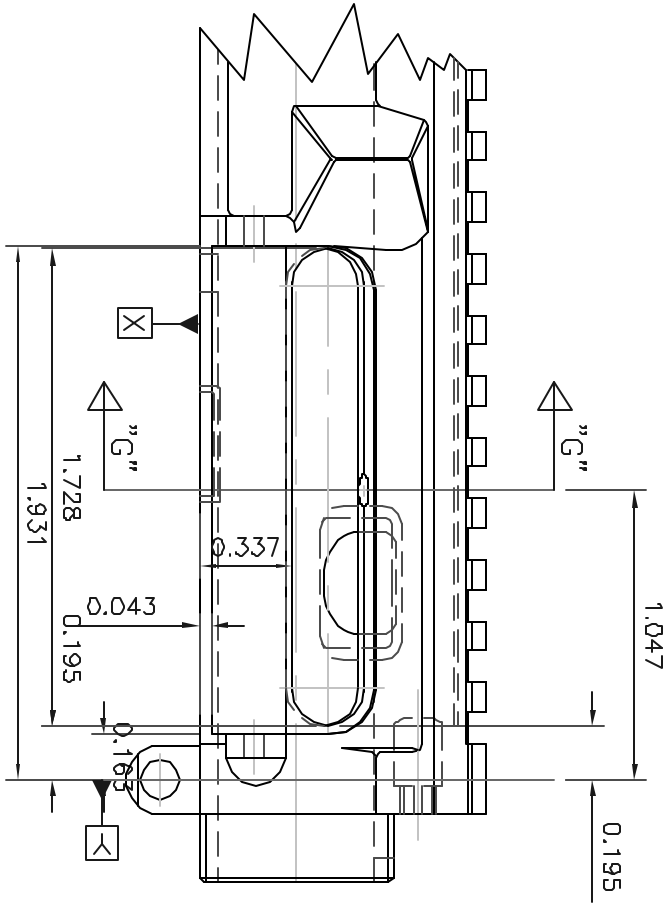
MODEL		TITLE	
AR15 UPPER RECEIVER (FLATTOP)		TOP	
DRAWN BY	DATE	SCALE	FULL
Jan 2003			
CHECKED BY	DATE	SHEET NO.	5
		OF 8 SHEETS	
DRAWING NUMBER		SIZE	VAR.
CODE	IDENT. NO.	A	



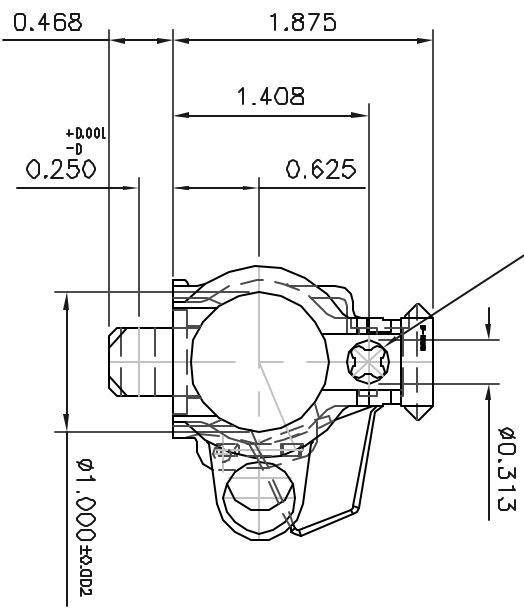
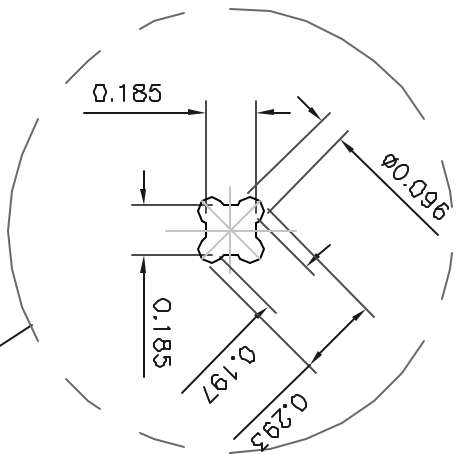
<p>NOT TO SCALE</p> <p>DIMENSIONS ARE IN IN. ■ MM. □ D □ UAL</p> <p>TOLERANCES UNLESS OTHERWISE SPECIFIED</p> <p>INCH ± .005</p> <p>MM. ±</p> <p>ANGLE ± .5 Deg</p>		<p>MODEL</p> <p>AR15 UPPER RECEIVER (FLATTOP)</p>	
<p>FINISH</p>		<p>PARTS SPEC. NO.</p>	
<p>MATERIAL</p> <p>7075 T6 ALUMINUM FORGING</p>		<p>DRAWN BY</p>	
<p>DISTRIBUTION</p>		<p>CHECKED BY</p>	
<p>LATEST PLOT RELEASE DATE</p>		<p>DATE</p>	
<p>7.000</p>		<p>DATE</p>	
<p>6.601</p>		<p>DATE</p>	
<p>6.118</p>		<p>DATE</p>	
<p>3.384</p>		<p>DATE</p>	
<p>1.266</p>		<p>DATE</p>	
<p>0.598</p>		<p>DATE</p>	
<p>0.664</p>		<p>DATE</p>	
<p>7.664 Ref.</p>		<p>DATE</p>	
<p>0.399</p>		<p>DATE</p>	
<p>0.750</p>		<p>DATE</p>	
<p>0.415</p>		<p>DATE</p>	
<p>0.592</p>		<p>DATE</p>	
<p>0.872</p>		<p>DATE</p>	
<p>0.522</p>		<p>DATE</p>	
<p>0.500</p>		<p>DATE</p>	
<p>0.925</p>		<p>DATE</p>	
<p>0.415</p>		<p>DATE</p>	
<p>0.635</p>		<p>DATE</p>	
<p>0.290</p>		<p>DATE</p>	
<p>3.143</p>		<p>DATE</p>	
<p>5.758</p>		<p>DATE</p>	
<p>6.008</p>		<p>DATE</p>	

<p>UNLESS OTHERWISE SPECIFIED</p> <p>INCH ± .005</p> <p>MM. ±</p> <p>ANGLE ± .5 Deg</p>		<p>MODEL</p> <p>AR15 UPPER RECEIVER (FLATTOP)</p>	
<p>FINISH</p>		<p>DRAWN BY</p>	
<p>MATERIAL</p> <p>7075 T6 ALUMINUM FORGING</p>		<p>CHECKED BY</p>	
<p>DISTRIBUTION</p>		<p>DATE</p>	
<p>LATEST PLOT RELEASE DATE</p>		<p>DATE</p>	
<p>7.000</p>		<p>DATE</p>	
<p>6.601</p>		<p>DATE</p>	
<p>6.118</p>		<p>DATE</p>	
<p>3.384</p>		<p>DATE</p>	
<p>1.266</p>		<p>DATE</p>	
<p>0.598</p>		<p>DATE</p>	
<p>0.664</p>		<p>DATE</p>	
<p>7.664 Ref.</p>		<p>DATE</p>	
<p>0.399</p>		<p>DATE</p>	
<p>0.750</p>		<p>DATE</p>	
<p>0.415</p>		<p>DATE</p>	
<p>0.592</p>		<p>DATE</p>	
<p>0.872</p>		<p>DATE</p>	
<p>0.522</p>		<p>DATE</p>	
<p>0.500</p>		<p>DATE</p>	
<p>0.925</p>		<p>DATE</p>	
<p>0.415</p>		<p>DATE</p>	
<p>0.635</p>		<p>DATE</p>	
<p>0.290</p>		<p>DATE</p>	
<p>3.143</p>		<p>DATE</p>	
<p>5.758</p>		<p>DATE</p>	
<p>6.008</p>		<p>DATE</p>	

<p>UNLESS OTHERWISE SPECIFIED</p> <p>INCH ± .005</p> <p>MM. ±</p> <p>ANGLE ± .5 Deg</p>		<p>MODEL</p> <p>AR15 UPPER RECEIVER (FLATTOP)</p>	
<p>FINISH</p>		<p>DRAWN BY</p>	
<p>MATERIAL</p> <p>7075 T6 ALUMINUM FORGING</p>		<p>CHECKED BY</p>	
<p>DISTRIBUTION</p>		<p>DATE</p>	
<p>LATEST PLOT RELEASE DATE</p>		<p>DATE</p>	
<p>7.000</p>		<p>DATE</p>	
<p>6.601</p>		<p>DATE</p>	
<p>6.118</p>		<p>DATE</p>	
<p>3.384</p>		<p>DATE</p>	
<p>1.266</p>		<p>DATE</p>	
<p>0.598</p>		<p>DATE</p>	
<p>0.664</p>		<p>DATE</p>	
<p>7.664 Ref.</p>		<p>DATE</p>	
<p>0.399</p>		<p>DATE</p>	
<p>0.750</p>		<p>DATE</p>	
<p>0.415</p>		<p>DATE</p>	
<p>0.592</p>		<p>DATE</p>	
<p>0.872</p>		<p>DATE</p>	
<p>0.522</p>		<p>DATE</p>	
<p>0.500</p>		<p>DATE</p>	
<p>0.925</p>		<p>DATE</p>	
<p>0.415</p>		<p>DATE</p>	
<p>0.635</p>		<p>DATE</p>	
<p>0.290</p>		<p>DATE</p>	
<p>3.143</p>		<p>DATE</p>	
<p>5.758</p>		<p>DATE</p>	
<p>6.008</p>		<p>DATE</p>	



<p style="text-align: center;">NOT TO SCALE</p> <p style="text-align: center;">DIMENSIONS ARE IN IN. ■ MM. □ D □ UAL</p>		<p style="text-align: center;">TOLERANCES UNLESS OTHERWISE SPECIFIED</p> <p style="text-align: center;">INCH ± .005</p> <p style="text-align: center;">MM. ±</p> <p style="text-align: center;">ANGLE ± .5 Deg</p>	
<p>FINISH</p>		<p>PARTS SPEC. NO.</p>	
<p>MATERIAL</p>		<p>7075 T6 ALUMINUM FORGING</p>	
<p>DISTRIBUTION</p>		<p>LATEST PLOT RELEASE DATE</p>	
<p>MODEL</p>		<p>AR15 UPPER RECEIVER (FLATTOP)</p>	
<p>TITLE</p>		<p>LEFT SIDE AND FRONT DETAIL</p>	
<p>DRAWN BY</p>		<p>DATE</p>	
<p>CHECKED BY</p>		<p>DATE</p>	
<p>DRAWING NUMBER</p>		<p>SCALE FULL</p>	
<p>CODE</p>		<p>SHEET NO. 6</p>	
<p>IDENT. NO.</p>		<p>OF 8 SHEETS</p>	
<p>SIZE</p>		<p>VAR.</p>	
<p>A</p>			



NOT TO SCALE	
DIMENSIONS ARE IN	IN. <input type="checkbox"/> MM. <input type="checkbox"/> D <input type="checkbox"/> UAL
TOLERANCES UNLESS OTHERWISE SPECIFIED	
INCH	± .005
MM.	±
ANGLE ± .5 Deg	
FINISH	
PARTS SPEC. NO.	
MATERIAL	7075 T6 ALUMINUM FORGING
DISTRIBUTION	LATEST PLOT RELEASE DATE

MODEL	ARIS UPPER RECEIVER (FLATTOP)		
TITLE	REAR DETAIL		
DRAWN BY	DATE	SCALE	FULL
CHECKED BY	Jan 2003		
DRAWING NUMBER		SHEET NO.	6
CODE	IDENT. NO.	SIZE	VAR.
		A	